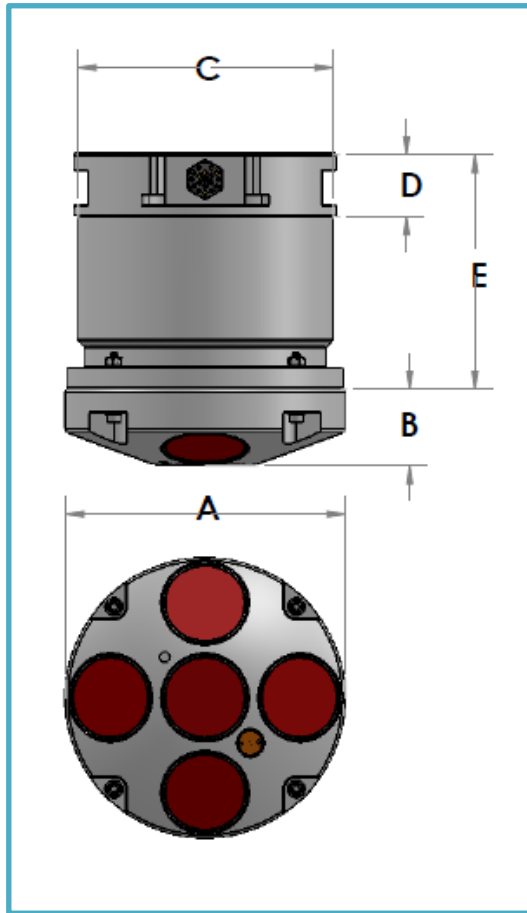




**DESCRIPTION:** OUTLINE DRAWING OF 2 INCH TRANSDUCERS 5 BEAM SYSTEM.



Face view and Side view of 5 beam system. Size of each transducer is 2 inches.  
600 kHz, 1200 kHz single and dual frequency systems available

**5 BEAMS, 2 INCH DIRECT READ SYSTEM**

PRESSURE RATING	HEAD DIAMETER (A)	HEAD WITH SQ (B)	HOUSING DR CENTER DIAMETER (C)	HOUSING FLANGE HEIGHT (D)	HOUSING DR TOTAL HEIGHT (E)
300 m	8.10"/206mm	2.22"/56mm	7.40"/188mm	1.80"/46mm	6.80"/173mm
3000 m	8.10"/206mm	2.22"/56mm	7.40"/188mm	1.80"/46mm	6.80"/173mm
6000 m	8.10"/206mm	2.22"/56mm	7.90"/201mm	1.80"/46mm	7.30"/185mm



**DESCRIPTION:** OUTLINE DRAWING OF 2 INCH TRANSDUCERS 5 BEAM SYSTEM.

**5 BEAMS, 2 INCH DR, SELF CONTAINED BATTERY PACK ATTACHMENTS**

PRESSURE RATING 3000m	END CAP DIAMETER (A)	HOUSING CENTER DIAMETER (B)	BATTERY PACK HOUSING HEIGHT (C)	BATTERY PACK END CAP DIAMETER (D)	BATTERY PACK TOTAL HEIGHT (E)
1 BATTERY PACK	7.90"/201mm	7.40"/188 mm	6.50"/165mm	1.80"/46mm	9.65"/245mm
2 BATTERY PACKS	7.90"/201mm	7.40"/188mm	11.00"/279mm	1.80"/46mm	14.15"/359mm
4 BATTERY PACKS	7.90"/201 mm	7.240"/188mm	2100"/533mm	1.80"/46mm	24.15"/613mm

PRESSURE RATING 6000m	END CAP DIAMETER (A)	HOUSING CENTER DIAMETER (B)	BATTERY PACK HOUSING HEIGHT (C)	BATTERY PACK END CAP DIAMETER (D)	BATTERY PACK TOTAL HEIGHT (E)
1 BATTERY PACK	7.90"/201mm	7.95"/202mm	6.50"/165mm	1.80"/46mm	9.65"/245mm
2 BATTERY PACKS	7.90"/201mm	7.95"/202mm	11.00"/279mm	1.80"/46mm	14.15"/359mm
4 BATTERY PACKS	7.90"/201mm	7.95"/202mm	2100"/533mm	1.80"/46mm	24.15"/613mm